

STORAGE SUPPORT SOLUTIONS

PDE

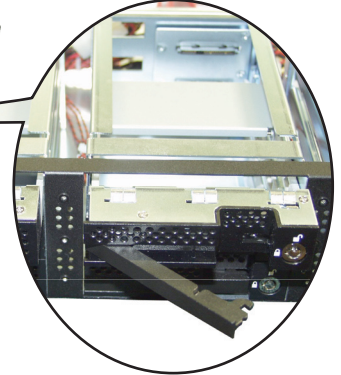
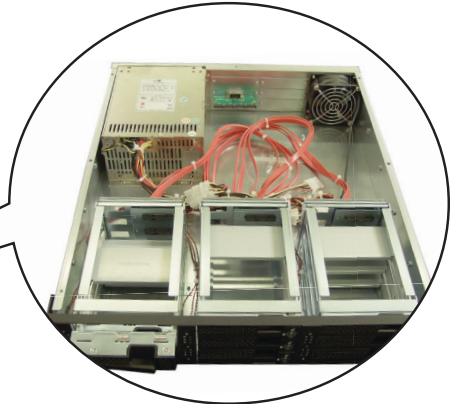
TECHNOLOGY
CORPORATION

PRODUCTION • DESIGN • ENGINEERING

R2U 9HDD

Configurations
for:

SATA
SAS
SCSI
Fibre Channel
Fiber Optic



RACKMOUNT STORAGE ENCLOSURE SOLUTION MULTI-DRIVE RAID/JBOD RACKMOUNT ENCLOSURE

- Provides an external housing solution for rackmount hard drives and other storage devices
- Turnkey solution includes:
 - Internal data cables
 - Redundant hot swap power supplies
 - Stand-offs for a SAS expander board
- Highest quality on the market
 - PDE is ISO 9001 certified
 - 1 year warranty
- Contemporary Design
- Maximum flexibility
 - Can be configured for:**
 - SATA, SAS, SCSI, FC, FO
 - Flexible cable and I/O solution
 - Drive trays are interchangeable with:**
 - E100, E300, E400 drive modules
- Designed to exceed requirements for 15,000 RPM and LVD Drives
- Available in Locking Tray and Non-Locking Tray versions

Distributed by:

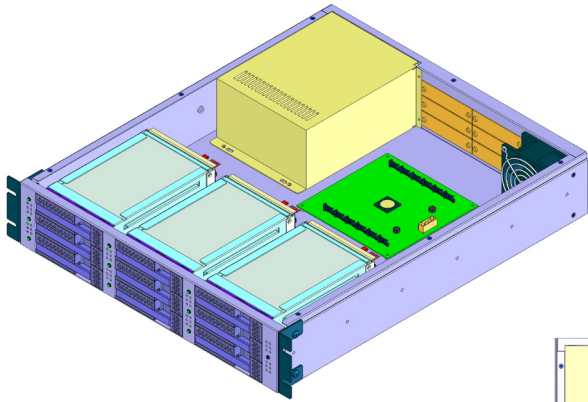
PDE TECHNOLOGY CORPORATION
www.pdetechnology.com

Headquarters

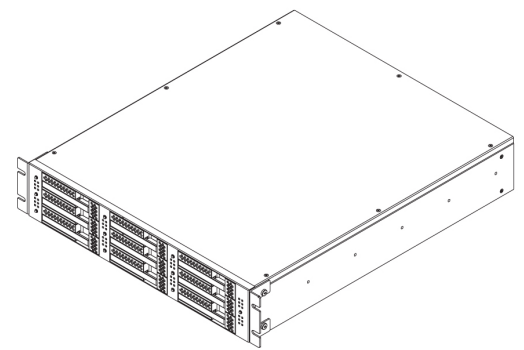
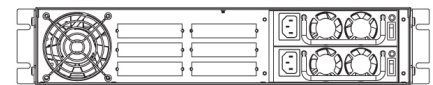
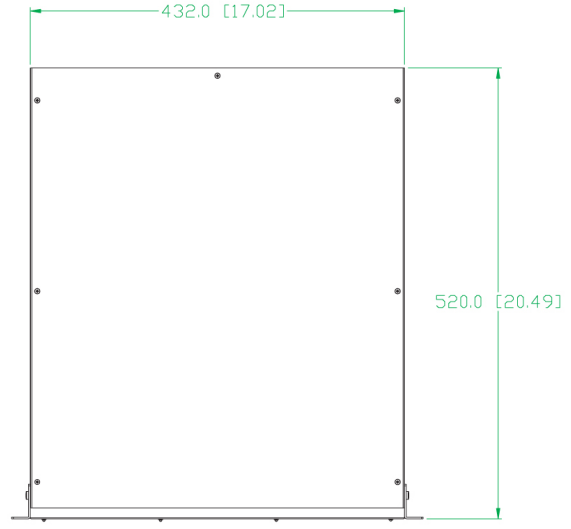
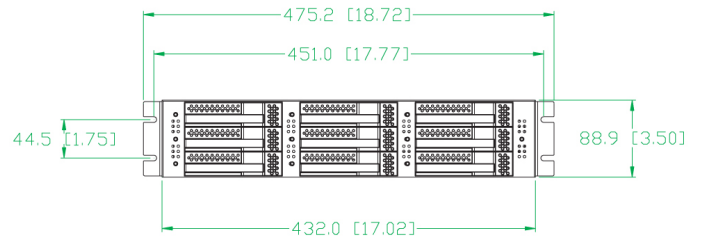
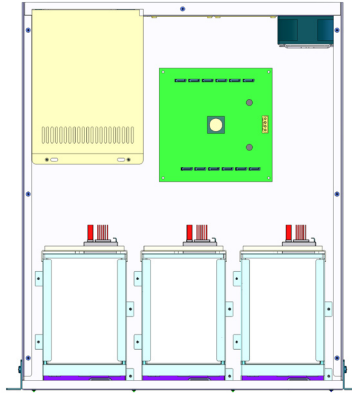
11522 Markon Drive
Garden Grove, CA 92841
Phone: 714-799-1704
Fax: 714-799-1705
E-mail: info@pdetechnology.com

European Office

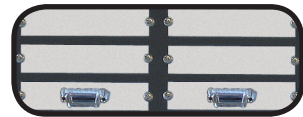
United Kingdom
Phone: 44 (0) 1252 879633
E-mail: info@pdetechnology.co.uk
Sales E-mail: sales@pdetechnology.co.uk



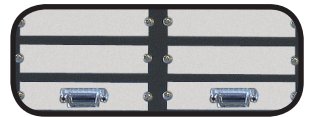
2U Rackmount Enclosure can be used with a SAS expansion board.



RACKMOUNT SPECS					
R2U 9 HDD					
DIMENSIONS (inches)					
L	20.49"				
W	17.02" (w/out rail), 18.72" (with rail)				
H	3.5"				
Weight (lbs)	29.7 lbs				
Dimensions with packaging	27" x 24" x 11"				
Weight with packaging (lbs)	40.7 lbs				
POWER SUPPLY					
Brand	ZIPPY				
Model #	MRW-6400P				
Qty	2				
Watts (total)	2 x 400W = 800W				
5V (ind.)	35A				
12V (ind.)	28A				
5V (total)	70A				
12V (total)	56A				
PS Fans	2 (each Power Supply)				
Alarms	yes				
COOLING FANS					
Brand	Adda				
Model #	AD0812HB-F71				
Qty	1				
Size	1.49"L x 3.169"W x 3.169"H				
CFM	53.6				
I/O CUTOUTS					
6 C50 cutouts, can be configured for HD68, VHDCI, C50, Multilane, DB9, LC					
HARDWARE AND ACCESSORIES					
Drive Mounting screw	4				
Rackmount bracket set	2				
Power cord	2				
TESTING					
Hi Pot	Voltage	Cosmetic	Continuity	Functionality	
Ground	Power Supply w/ Load	Electrical	Cooling System	Mechanical	
SPARE PARTS OR OPTIONS					
SAS, SATA, INFINIBAND CABLES (RoHS Compliant)					
THUMB SCREW - THUMB SCREW CABLES			THUMB SCREW - LATCH CABLES		
•29-1213 .5 METER	•29-1214 1 METER	•29-1237 .5 METER	•29-1238 1 METER		
•29-1215 2 METER	•29-1216 3 METER	•29-1239 2 METER	•29-1240 3 METER		
•29-1217 5 METER		•29-1241 5 METER			
Fan: 14-1654	Power Supply Module: 14-1653	Rack Slide Rails: 14-1300			



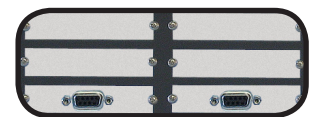
**11-0670
SATA**



**11-0671
SAS**



**11-0672
SCSI**



**11-0673
Fibre Channel**



**11-0674
Fiber Optic**



*Specs subject to change without notice